



SPARE PARTS PRICELIST 04.2024

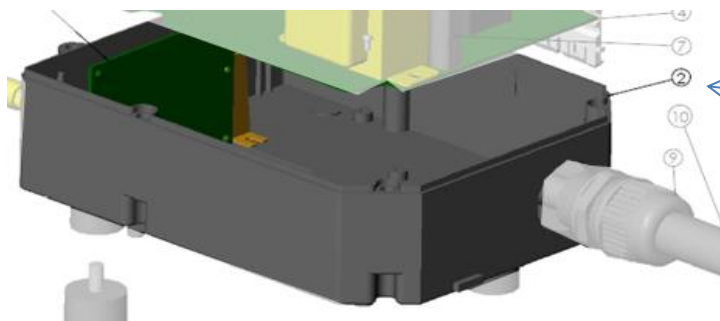
General information

These pages contain the drawings of some Telecrane Italia radio remote controls with the main spare parts available and we avoided to repeat all the components (*i.e. the crystal is included in all the models with this kind of radio transmission but is not repeated*).

For similar models the article code can change. For this reason, when asking for components, the following data must be indicated:

- **the exact model** (*i.e. Silver Magnum F23-8D-8*)
- **the serial number** (*i.e. 23024309*)
- **the channel in use** (*i.e. 131*)
- **the power supply** (*i.e. AC 48V*)

In the table we indicate the number of the item (**n.**), the code (**code**), the **description** and the **grossprice**.



MAIN COMPONENTS FOR SILVER NOVA F24-8D-6

Other models (F24-12D) have different codes

n.	Code	Description
1	00249	Upper cover + n. 12
2	00240	Back cover
3	00008	Antenna
4	00210	Relay module + n. 5 6 7 8

Warning

For ordering the right component please check the drawing and the table. The code indicates that specific model so please check the exact correspondence of what you need and what is indicated in the upper right corner of the pages.

All the components and their prices are meant for n.1 piece: if you need more the price must be calculated.

COMPLETE SPARE UNITS: TRANSMITTERS AND RECEIVERS

n. TX	Cod. TX	Cod. RX	Model	TX Price	RX Price
1	00449	00439	Silver Tender F21-E2-4	349,00	371,00
2	00450	00473	Silver Tender F21-E2-8	386,00	403,00
3	00161	00144	Silver Easy F21-2S	324,00	380,00
4	00162	00147	Silver Hoist F21-4D-2	386,00	449,00
5	00163	00149	Silver Hoist F21-4D	486,00	536,00
6	00310	00353	Silver Hoist F21-E1	486,00	536,00
7	00168	00153	Silver Nova F24-8D-6	549,00	729,00
8	00169	00154	Silver Nova F24-12D	678,00	848,00
9	00165	00150	Silver Magnum F23-8D-6	549,00	773,00
10	00166	00151	Silver Magnum F23-8D-8	598,00	785,00
11	00167	00152	Silver Magnum F23-8D-10	648,00	810,00
12	00170	00155	Silver Top F25-6D	698,00	916,00
13	00171	00156	Silver Top F25-8D	723,00	941,00
14	00172	00157	Silver Top F25-10D	742,00	967,00
15	00173	00158	Silver Joy F24-60S	1122,00	1285,00
16	00351	00352	Silver Joy F24-60E	985,00	1141,00

Note. Standard power supply is 48V AC.
Before ordering always specify:

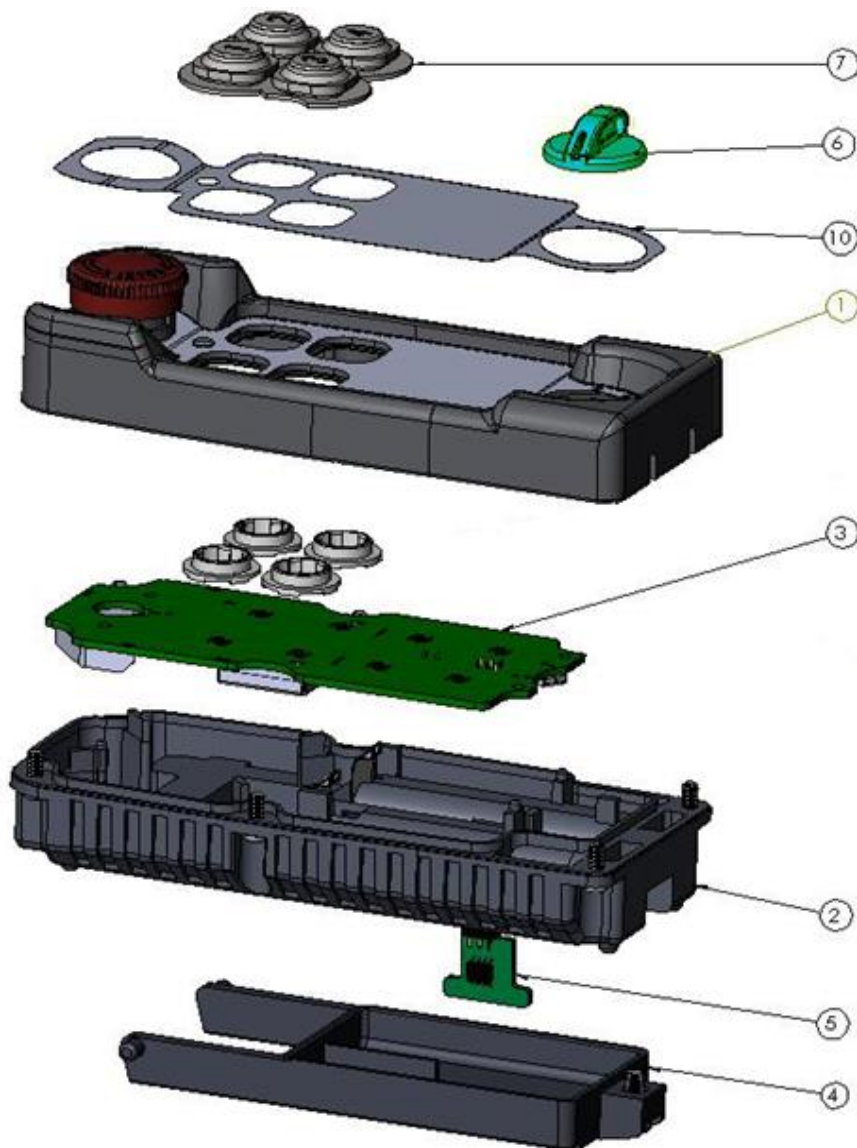
- Model
- Power supply
- Channel
- Serial number



MAIN COMMON COMPONENTS

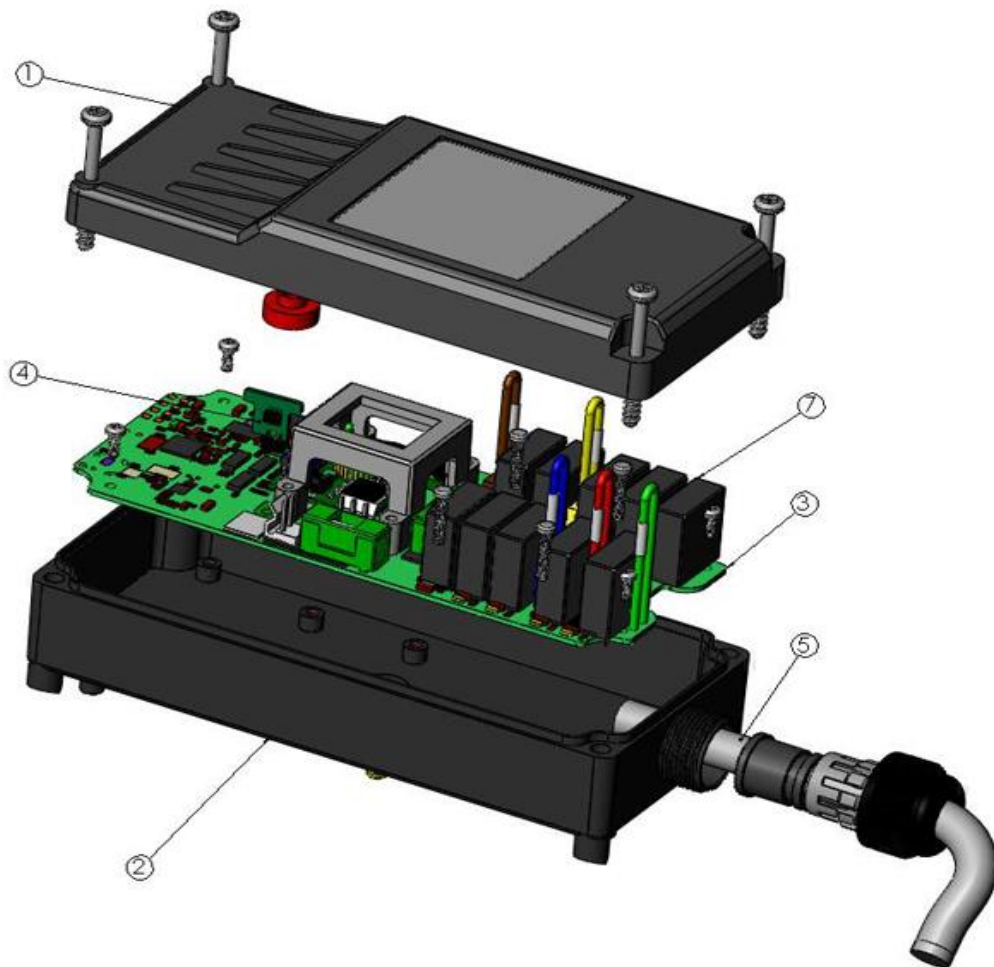


n.	Cod.	Description	Price
1	00354	Kit 3 covers F21 2S	53,00
2	00355	Kit 3 covers F21-4D/4D-2	53,00
3	00356	Kit 3 covers F23/F24	55,00
4	00030	Rubber protection for Silver Joy	112,00
5	00298	Kit 3 sticker sheets	39,00
6	00357	Kit 3 red laces	35,00
7	00139	Set 7+7 crystals	244,00
8	00140	Set 7+14 crystals for Twin	366,00
9	00XXX	Crystal for TX	19,00
10	00XXX	Crystal for RX	19,00
11	00194	Transformer AC24-48V for F21	53,00
12	00195	Transformer AC48-110V for F21	53,00
13	00196	Transformer AC110-220V for F21	53,00
14	00198	Transformer AC48-110-220V for F23/24	65,00
15	00199	Transformer AC48-110-220V for F25	65,00
16	00200	Transformer AC48-220V for F24-60	78,00
17	00358	Transformer AC110-220V for F24-60	78,00
18	00201	Converter DC 12-24V	65,00
19	00011	Battery charger with 4 AA batteries	53,00
20	00272	Passive external antenna	210,00



MAIN COMPONENTS FOR SILVER EASY F21-E2-4/E2-8

n.	Cod.	Description	Price
1	00429	F21-E2-4 Front shell and EMS stop	144,00
	00430	F21-E2-8 Front shell and EMS stop	144,00
2	00431	Back shell	105,00
3	00433	Main board with buttons	158,00
4	00435	Battery cover	27,00
5	00422	e-Card	53,00
6	00436	Start key	65,00
7	00437	Buttons rubber cover	27,00
10	00442	Stickers (3 pcs. kit)	22,00



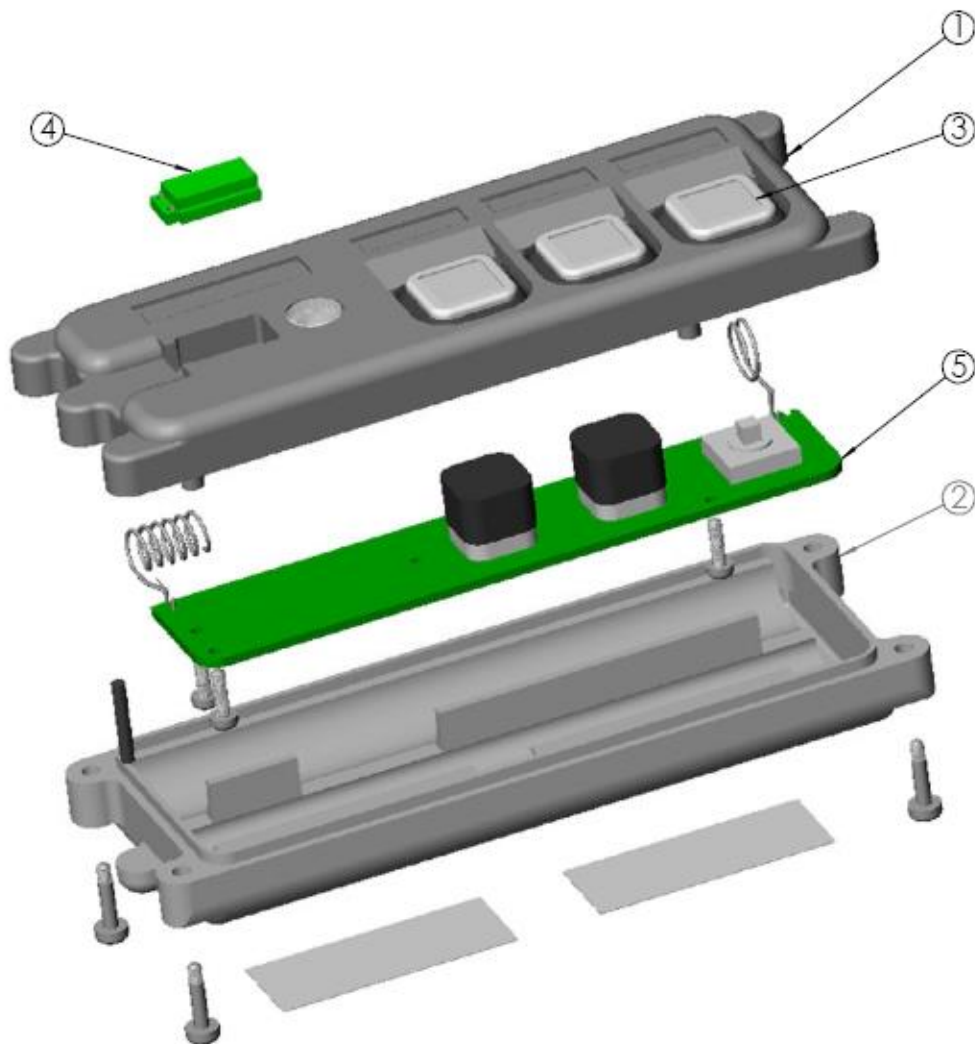
MAIN COMPONENTS FOR SILVER EASY F21-E2-4/E2-8

n.	Cod.	Description	Price
1	00416	Front shell (*1)	92,00
2	00417	Back shell (*2)	78,00
3	00418	F21-E2-4 Main board with relay / Decoder 24-48V AC (*3)	183,00
	00420	F21-E2-8 Main board with relay / Decoder 24-48V AC (*3)	191,00
4	00422	e-Card	53,00
5	00258	Cable	39,00
7	00428	Relay	19,00

(*1) supplied only with cod. 00417

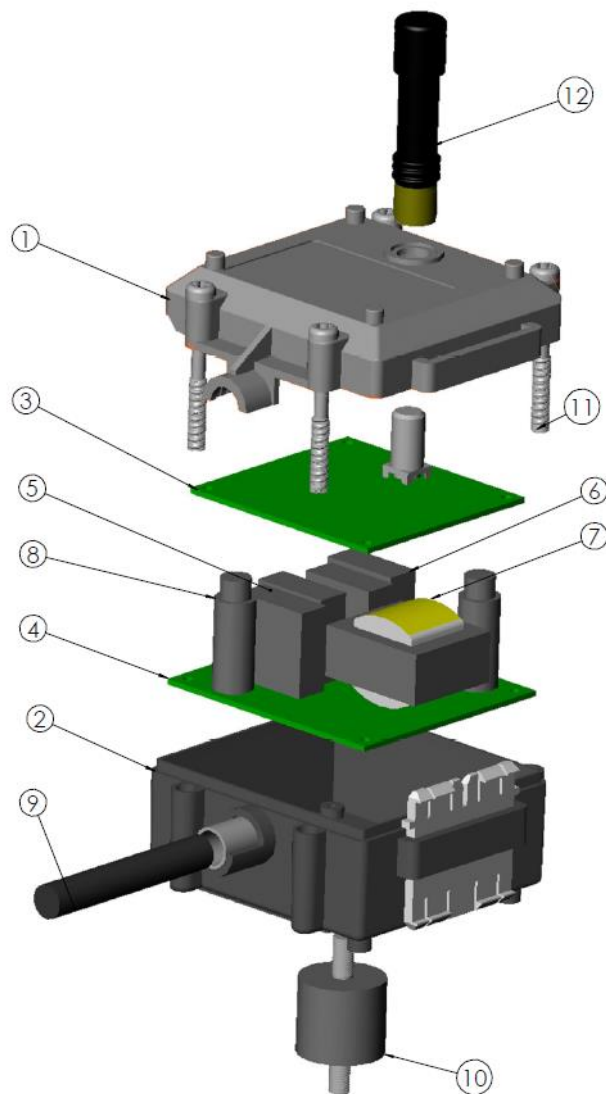
(*2) supplied only with cod. 00416

(*3) different power supplies available



MAIN COMPONENTS FOR SILVER EASY F21-2S

n.	Cod.	Description	Price
1	00101	Front shell	170,00
2	00286	Back shell	92,00
3	00340	Silicon rubber pushbutton	15,00
4	00018	Magnetic key	19,00
5	00193	Encoder / RF module	131,00



MAIN COMPONENTS FOR SILVER EASY F21-2S

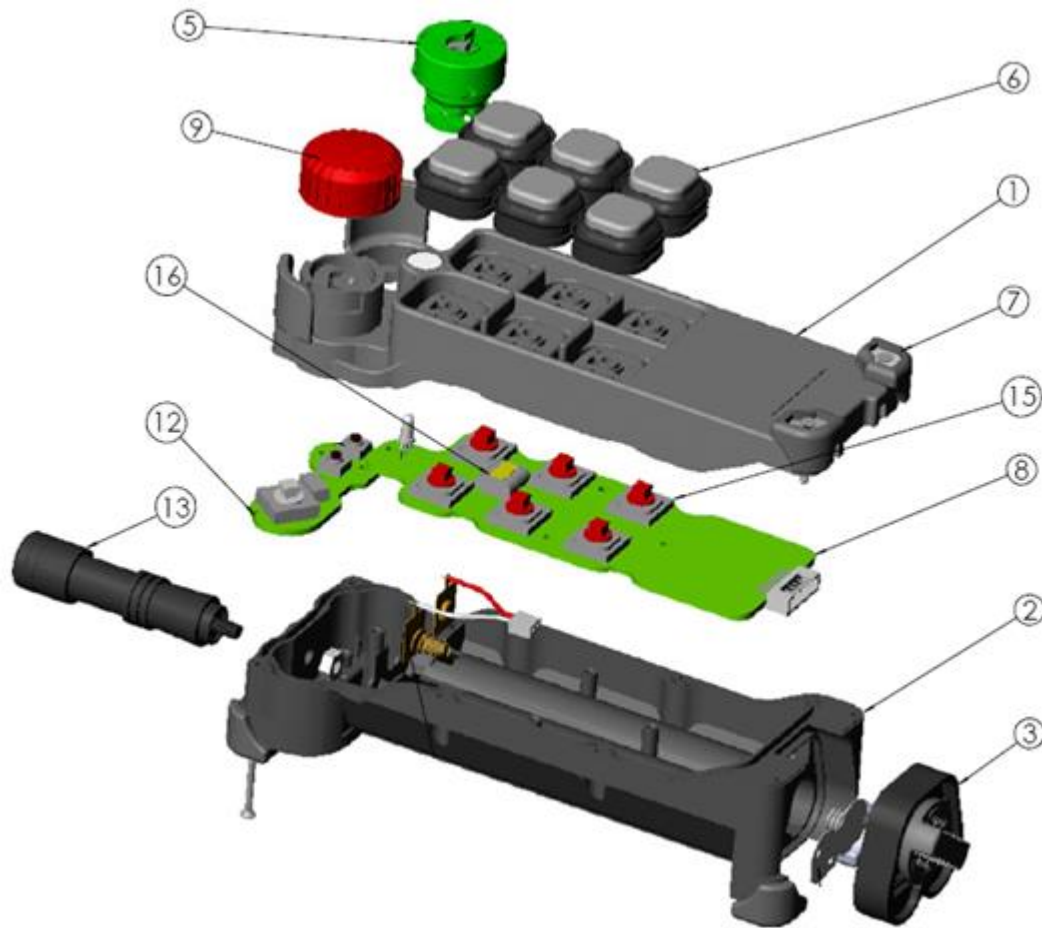
n.	Codice	Descrizione	Prezzo
1	00242	Front shell (*1)	92,00
2	00469	Back shell (*2)	78,00
3	00470	RX-RF module	118,00
4	00203	Relay module	144,00
5	00325	Main relay	19,00
6	00326	Function relay	11,00
7	00198	Transformer 48V AC (*3)	65,00
8	00267	Fuse	19,00
9	00258	Wiring cable	39,00
10	00328	Shock absorber	11,00
11	00330	Casing screw set	15,00
12	00008	Antenna	65,00

(*1) supplied only with cod. 00469

(*2) supplied only with cod. 00242

(*3) different power supplies available

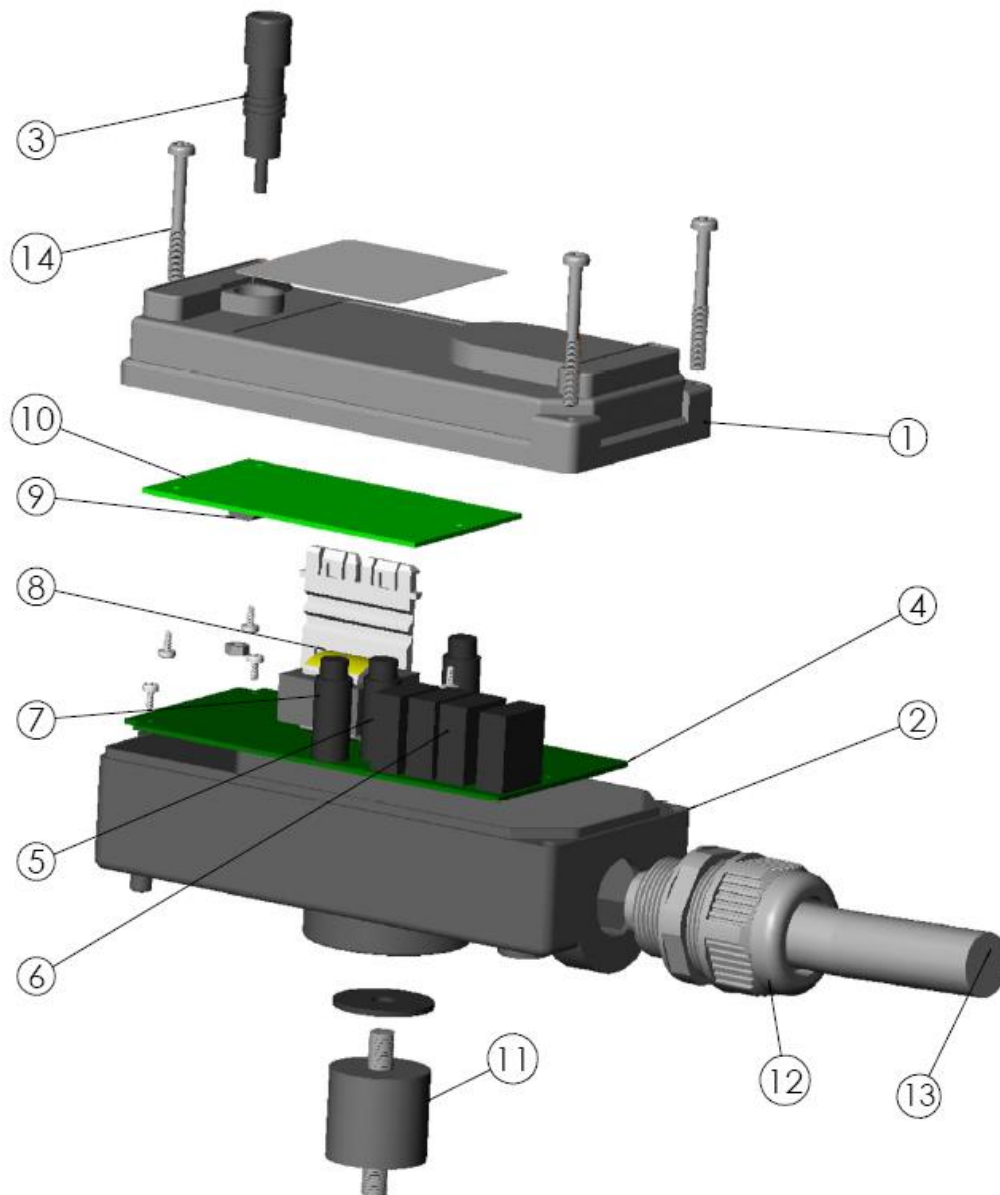
F21 series
Model: Silver HOIST
 Transmitter unit



MAIN COMPONENTS FOR SILVER HOIST F21-E1/F21-4D-2/F21-4D

n.	Cod.	Description	Price
1	00117	F21-E1 Front shell	170,00
	00102	F21-4D-2 Front shell	154,00
	00103	F21-4D Front shell	166,00
2	00289	Back shell	92,00
3	00099	Battery cap set	33,00
5	00016	Start pushbutton	65,00
6	00332	Pushbutton cap + rubber	11,00
7	00334	Casing screw set	53,00
8	00341	F21-E1 Encoder/ TX RF module	158,00
	00192	F21-4D-2 Encoder/ TX RF module	154,00
	00182	F21-4D Encoder/ TX RF module	166,00
9	00096	EMS button	53,00
12	00180	Key-EMS pcb	118,00
13	00006	Antenna, cable and connector	65,00
15	00338	1-step pushbutton (for F21-E1)	33,00
15	00337	2-step pushbutton	39,00
16	00124	Crystal	19,00

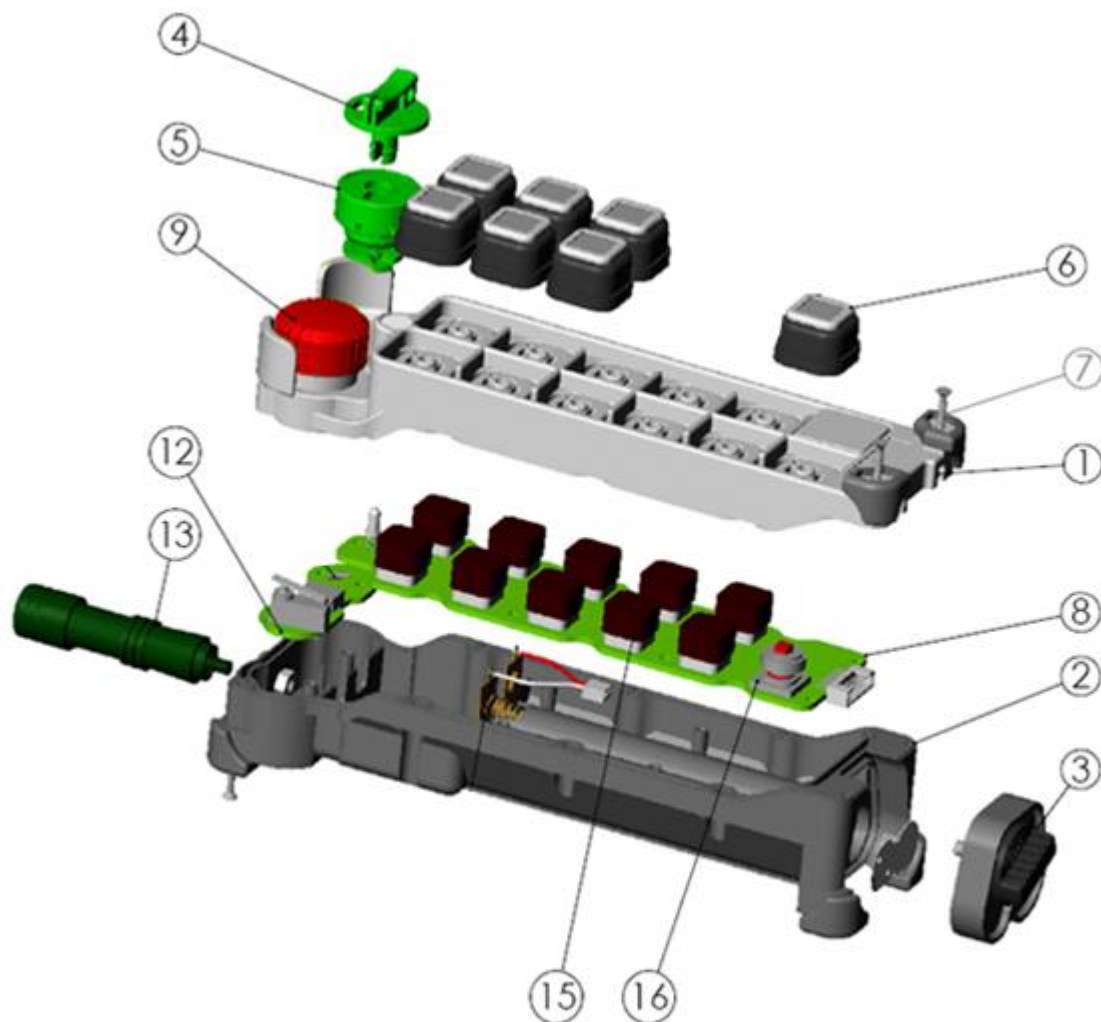
F21 series
Model: Silver HOIST
 Receiver unit



MAIN COMPONENTS FOR SILVER HOIST F21-E1/F21-4D-2/F21-4D

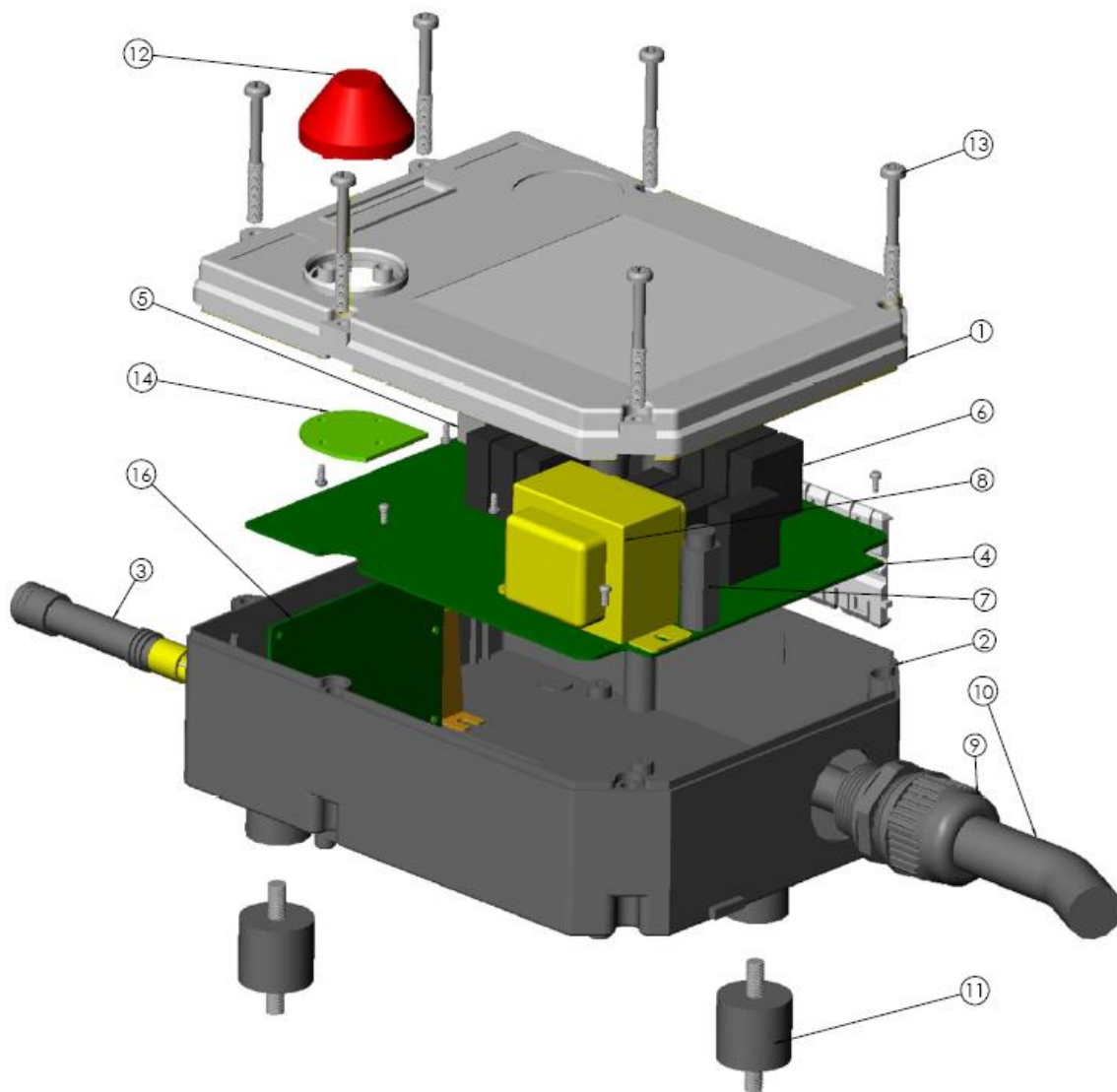
n.	Cod.	Description	Price
1	00243	Front shell	92,00
2	00237	Back shell	78,00
3	00008	Antenna	65,00
4	00368	F21-E1 – AC 24-48(*) Relay module + n.5, 6, 7, 8	135,00
	00204	F21-4D-2 – AC 24-48(*) Relay module + n.5, 6, 7, 8	144,00
	00205	F21-4D – AC 24-48(*) Relay module + n.5, 6, 7, 8	166,00
5	00325	Main relay	19,00
6	00326	Function relay	11,00
7	00267	Fuse	19,00
8	00195	Transformer 48-110 V AC (*)	53,00
9	00131	Crystal	19,00
10	00226	RX-RF module	144,00
11	00328	Shock absorber	11,00
12	00327	Cable gland	7,00
13	00258	Wiring cable	39,00
14	00330	Casing screw set	15,00

(*) different power supplies available

**MAIN COMPONENTS FOR SILVER NOVA F24-8D-6**

Other models (F24-12D) have different codes

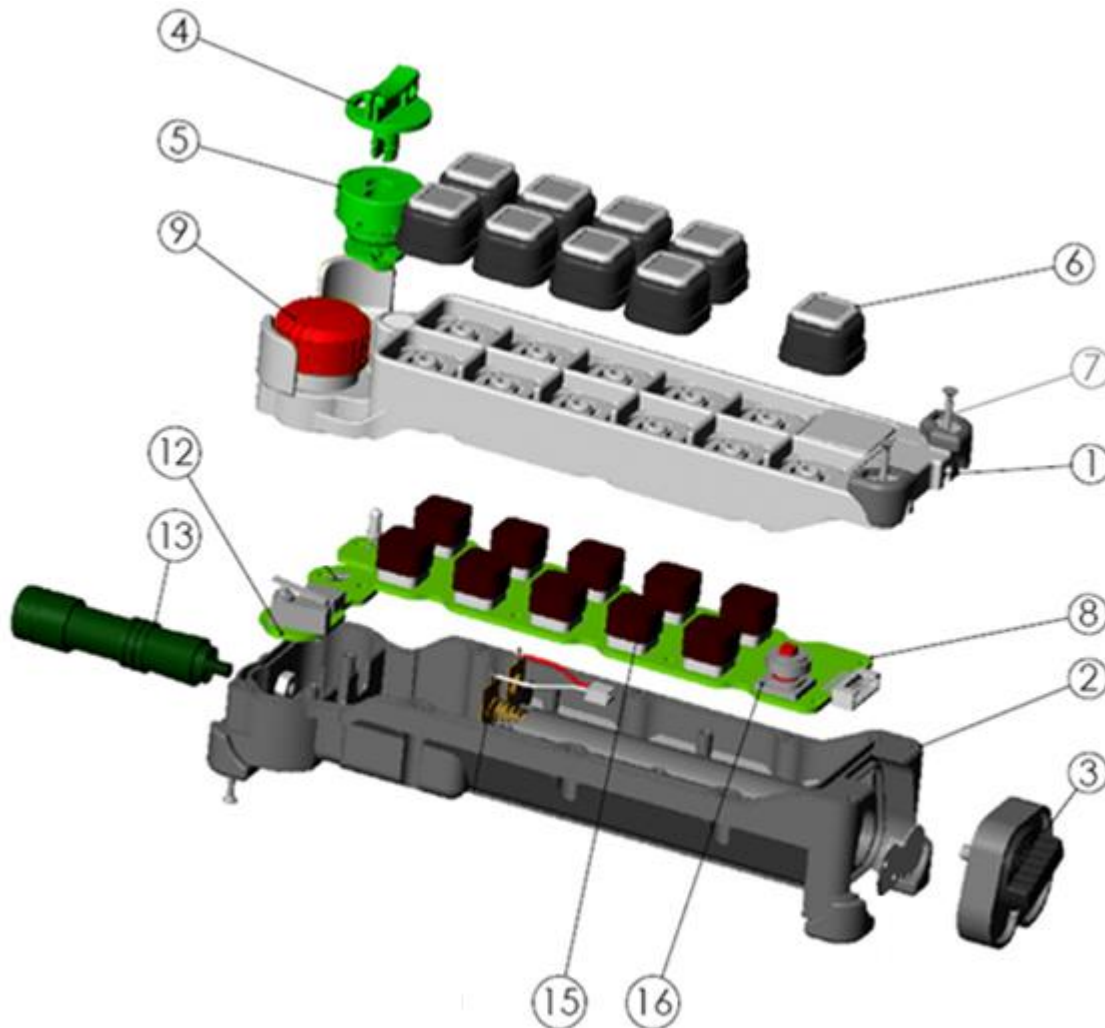
n.	Cod.	Description	Price
1	00105	Front shell + n. 4,5,6,9	262,00
2	00290	Back shell	105,00
3	00099	Battery cap set	33,00
4	00800	Start key	40,00
5	00015	Key base + start key	85,00
6	00332	Pushbutton cap + rubber	11,00
7	00334	Casing screw set	53,00
8	00184	Encoder/ TX-RF module	229,00
9	00095	EMS button	53,00
12	00493	Key-EMS pcb	118,00
13	00006	Antenna, cable and connector	65,00
15	00337	2-step pushbutton	39,00
16	00338	1-step pushbutton	33,00


MAIN COMPONENTS FOR SILVER NOVA F24-8D-6

Other models (F24-12D) have different codes

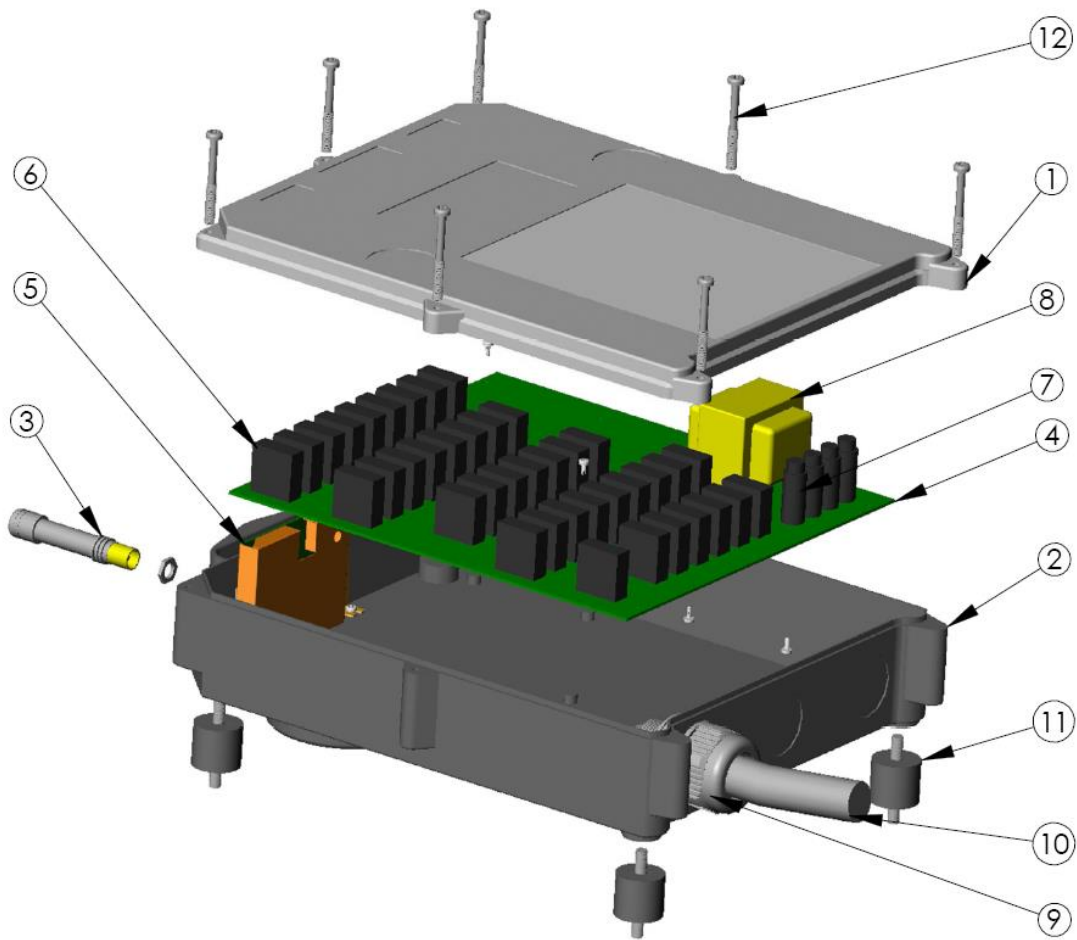
n.	Cod.	Description	Price
1	00249	Front shell + n. 12	158,00
2	00239	Back shell	183,00
3	00008	Antenna	65,00
4	00210	Relay module + n.5, 6, 7,8	341,00
5	00325	Main relay	19,00
6	00326	Function relay	11,00
7	00267	Fuses set	19,00
8	00198	Transformer 48-110-220 V AC (*)	65,00
9	00327	Cable gland	7,00
10	00260	Wiring cable	65,00
11	00328	Shock absorber	11,00
12	00329	Operating lamp cover	13,00
13	00330	Casing screw set	15,00
14	00233	Led module	53,00
16	00228	Radio module	144,00

(*) different power supplies available



MAIN COMPONENTS FOR SILVER MAGNUM F23-8D-6/8D/10D

n.	Cod.	Description	Price
1	00105	F23-8D-6 Front shell + n. 4,5,6,9	262,00
1	00106	F23-8D Front shell + n. 4,5,6,9	275,00
1	00107	F23-10D Front shell + n. 4,5,6,9	282,00
2	00290	Back shell	105,00
3	00099	Battery cap set	33,00
4	00800	Start key	40,00
5	00015	Key base + start key	85,00
6	00332	Pushbutton cap + rubber	11,00
7	00334	Casing screw set	53,00
8	00183	F23-8D-6 Encoder/ TX-RF module	225,00
8	00185	F23-8D Encoder/ TX-RF module	242,00
8	00186	F23-10D Encoder/ TX-RF module	250,00
9	00095	EMS button	53,00
12	00493	Key-EMS pcb	118,00
13	00006	Antenna, cable and connector	65,00
15	00337	2-step pushbutton	39,00
16	00338	1-step pushbutton	33,00

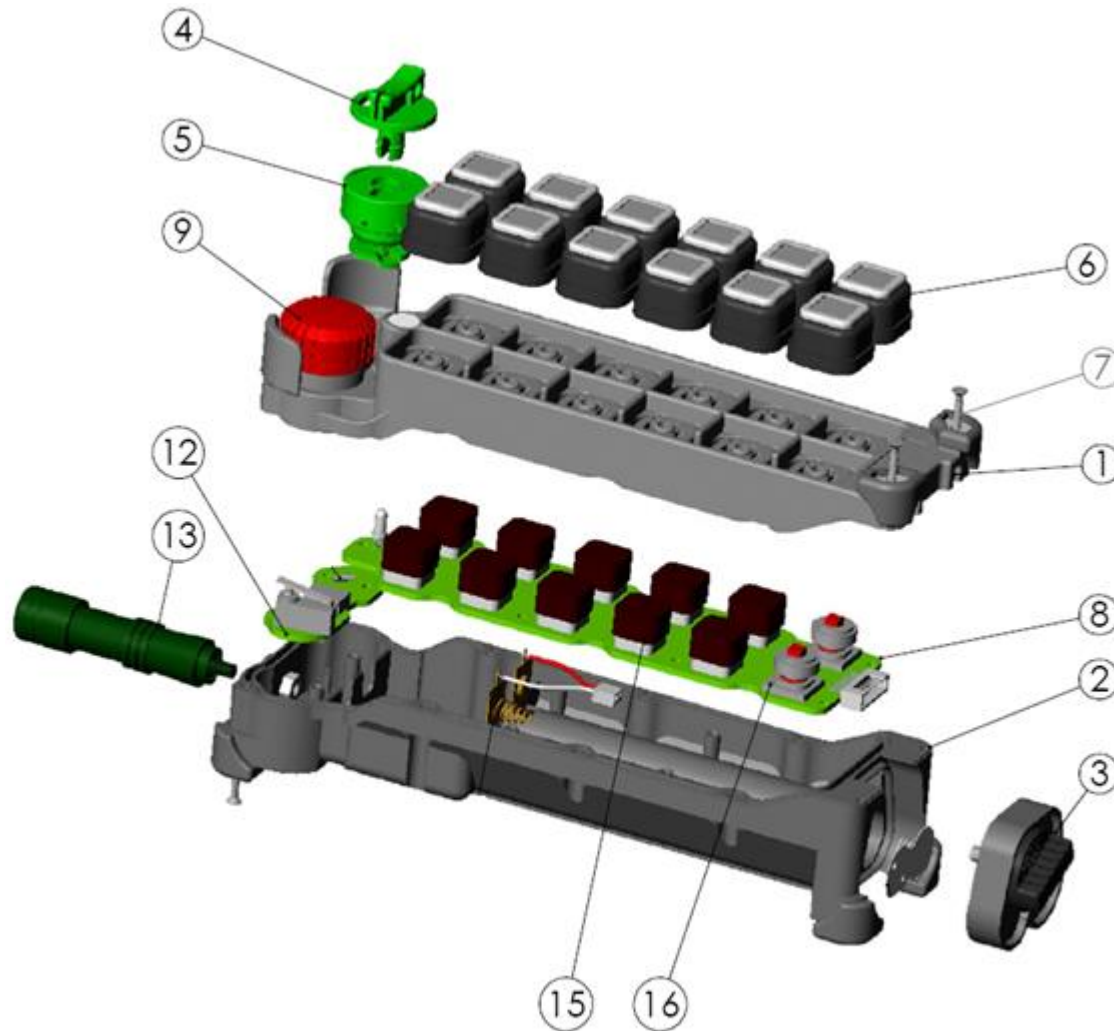


MAIN COMPONENTS FOR SILVER MAGNUM F23-8D-6/8D/10D

n.	Cod.	Description	Price
1	00247	Front shell	158,00
2	00240	Back shell	183,00
3	00008	Antenna	65,00
4	00211	F23-8D-6 RX-RF module + n.6, 7, 8	359,00
4	00212	F23-8D RX-RF module + n.6, 7, 8	392,00
4	00213	F23-10D RX-RF module + n.6, 7, 8	409,00
5	00229	Radio module	144,00
6	00326	Function relay	11,00
7	00267	Fuses set	19,00
8	00198	Transformer 48-110-220V AC (*)	65,00
9	00327	Cable gland	7,00
10	00260	Wiring cable	65,00
11	00328	Shock absorber	11,00
12	00330	Casing screw set	15,00

(*) different power supplies available

F25 series
Model: Silver TOP
 Transmitter unit

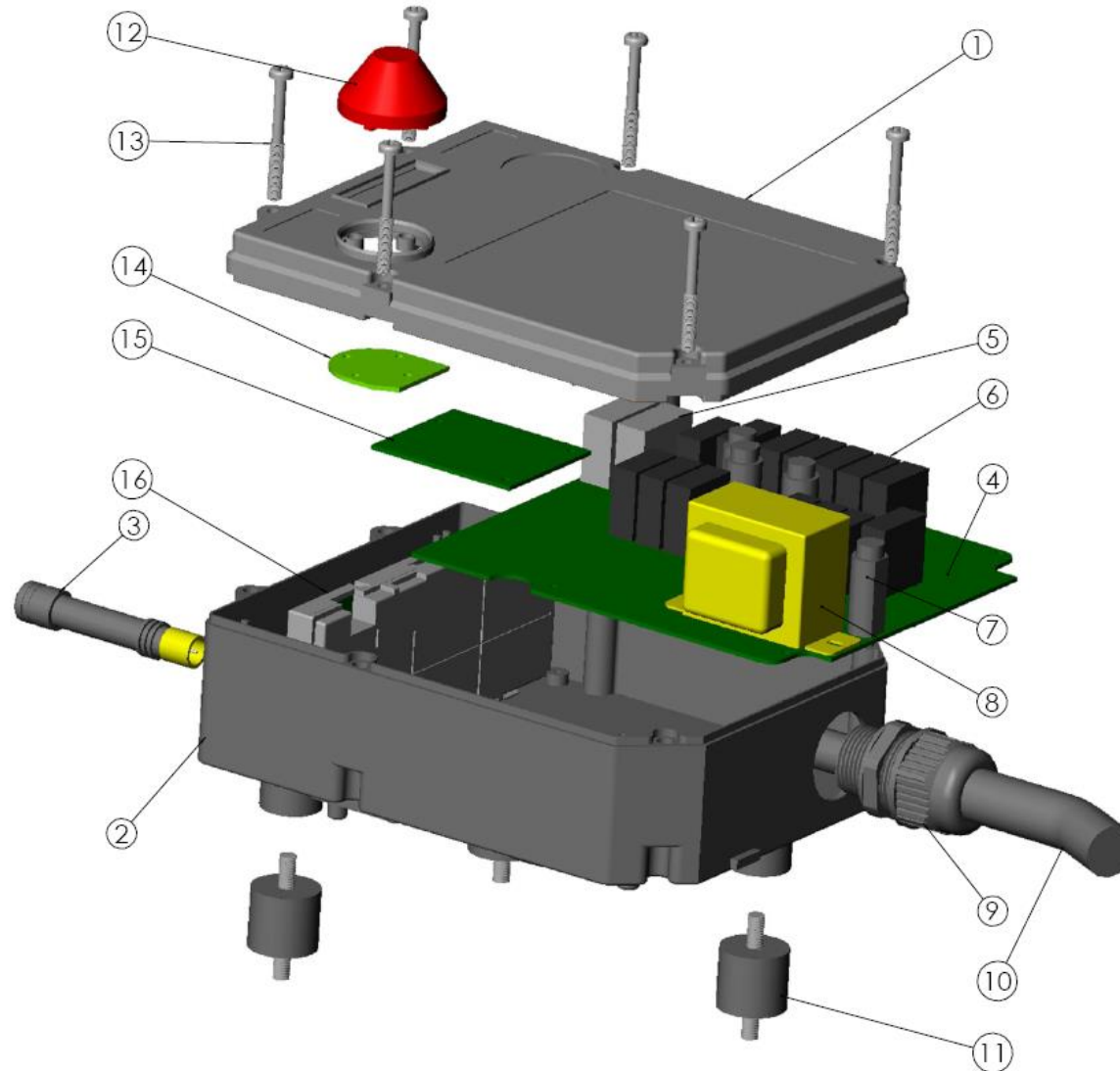


MAIN COMPONENTS FOR SILVER TOP F25-6D/8D/10D

n.	Cod.	Description	Price
1	00105	F25-6D Front shell + n. 4,5,6,9	262,00
1	00105	F25-8D Front shell + n. 4,5,6,9	262,00
1	00105	F25-10D Front shell + n. 4,5,6,9	262,00
2	00285	Back shell	105,00
3	00099	Battery cap set	33,00
4	00800	Start key	40,00
5	00015	Key base + start key	85,00
6	00332	Pushbutton cap + rubber	11,00
7	00334	Casing screw set	53,00
8	00188	F25-6D Encoder/ TX-RF module	243,00
8	00189	F25-8D Encoder/ TX-RF module	257,00
8	00190	F25-10D Encoder/ TX-RF module	275,00
9	00097	EMS button	53,00
12	00179	Key-EMS pcb	118,00
13	00006	Antenna, cable and connector	65,00
15	00337	2-step pushbutton	39,00
16	00338	1-step pushbutton	33,00

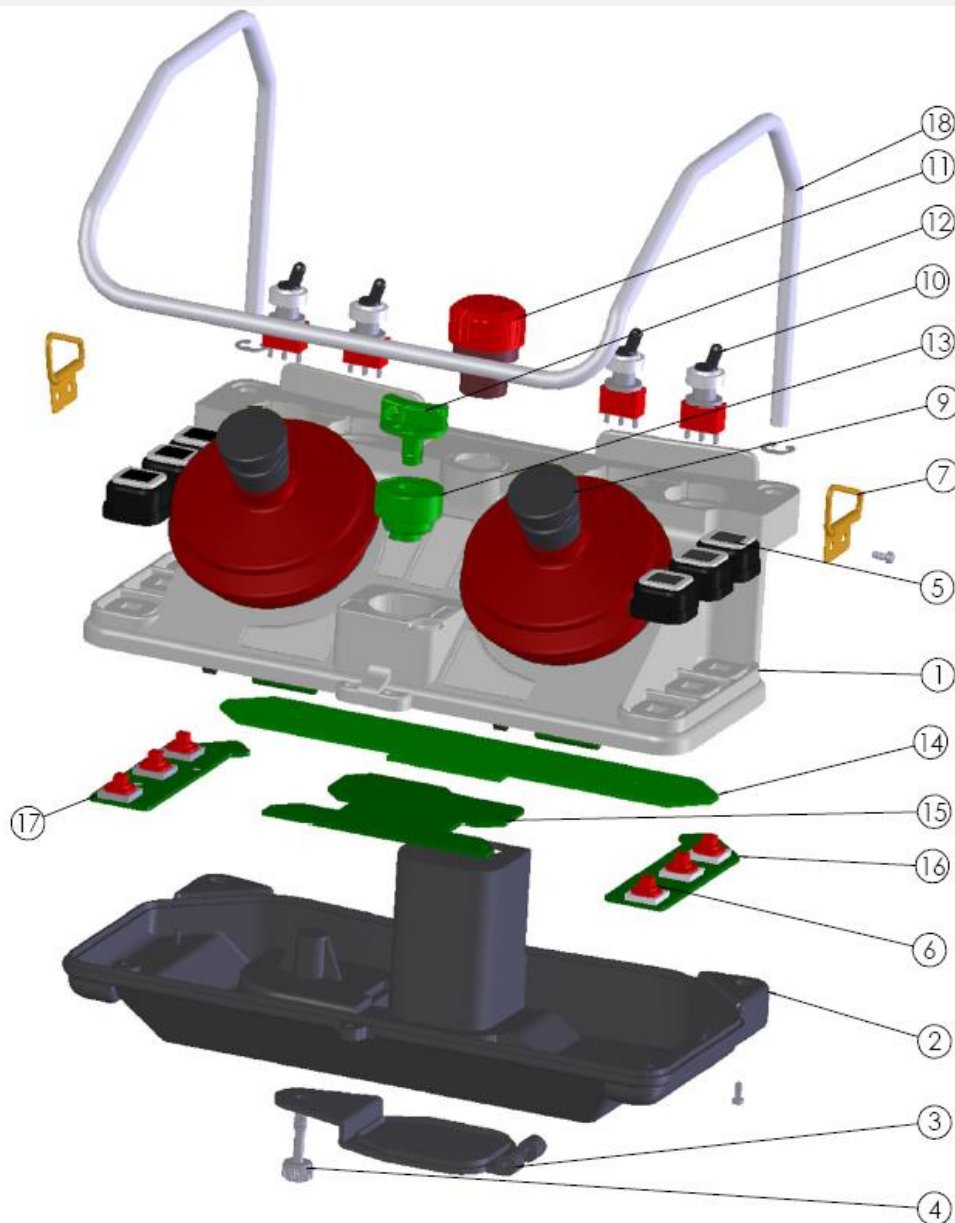
F25 series
Model: Silver TOP
 Receiver unit

MAIN COMPONENTS FOR SILVER TOP F25-6D/8D/10D



n.	Cod.	Description	Price
1	00251	Front shell	158,00
2	00239	Back shell	183,00
3	00008	Antenna	65,00
4	00215	F25-6D RX-RF module + n.6, 7, 8	367,00
4	00216	F25-8D RX-RF module + n.6, 7, 8	385,00
4	00217	F25-10D RX-RF module + n.6, 7, 8	409,00
5	00325	Main relay	19,00
6	00326	Function relay	11,00
7	00267	Fuses set	19,00
8	00198	Transformer 48-110-220 V AC (*)	65,00
9	00327	Cable gland	7,00
10	00260	Wiring cable	65,00
11	00328	Shock absorber	11,00
12	00329	Operating lamp cover	13,00
13	00330	Casing screw set	15,00
14	00234	Led module	53,00
15	00231	Alarm module	92,00
16	00230	Radio module	301,00

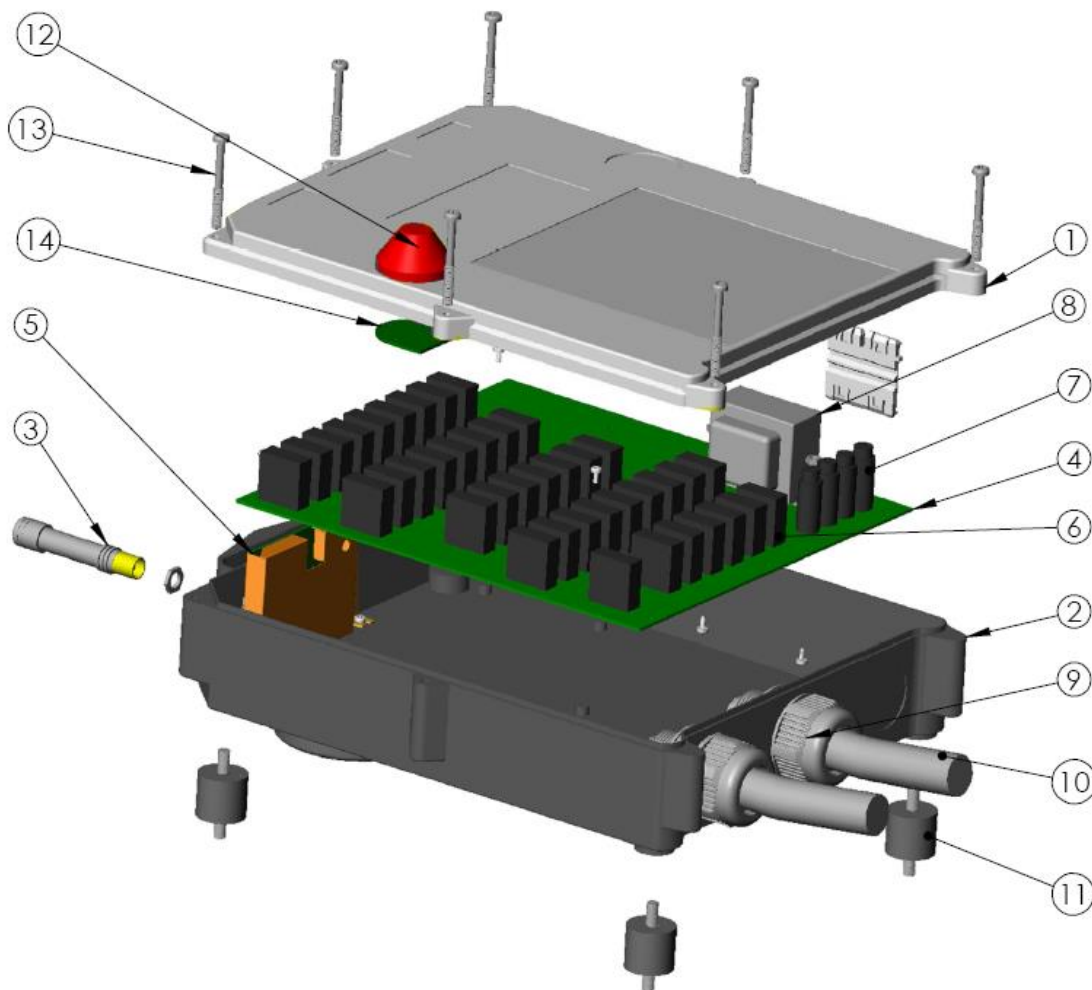
(*) different power supplies available



MAIN COMPONENTS FOR SILVER JOY F24-60S

Other models (F24-60E) have different codes

n.	Cod.	Description	Price
1	00123	Front shell + n. 5, 12, 13	354,00
2	00295	Back shell	158,00
3	00099	Battery cap set	33,00
4	00343	Battery cap screw set	7,00
5	00332	Pushbutton cap + rubber	11,00
6	00338	1-step pushbutton	33,00
7	00342	Belt ring	11,00
9	00312	Joystick assembly	367,00
10	00344	Toggle switch	53,00
11	00095	EMS button	53,00
12	00800	Start key	40,00
13	00015	Key base + start key	85,00
14	00345	Encoder module	158,00
15	00346	TX-RF module	158,00
16	00347	Pushbutton pcb-left	65,00
17	00348	Pushbutton pcb-right	65,00
18	00349	Protection bar	53,00



MAIN COMPONENTS FOR SILVER JOY F24-60S

Other models (F24-60E) have different codes

n.	Cod.	Description	Price
1	00256	Front shell	158,00
2	00241	Back shell	236,00
3	00008	Antenna	65,00
4	00220	Relay module + n.6, 7, 8 STD	550,00
5	00228	Radio module	144,00
6	00326	Function relay	11,00
7	00267	Fuses set	19,00
8	00200	Transformer 48-110 V AC (*)	78,00
9	00327	Cable gland	7,00
10	00260	Wiring cable	65,00
11	00328	Shock absorber	11,00
12	00329	Operating lamp cover	13,00
13	00330	Casing screw set	15,00
14	00233	Led Module	53,00

(*) different power supplies available



TELECRANE ITALIA SRL

Via G. Rossa, 8 - 20024 Garbagnate M.se (MI) Italy

+39 02 9958665 info@telecrane.it

www.telecrane.it